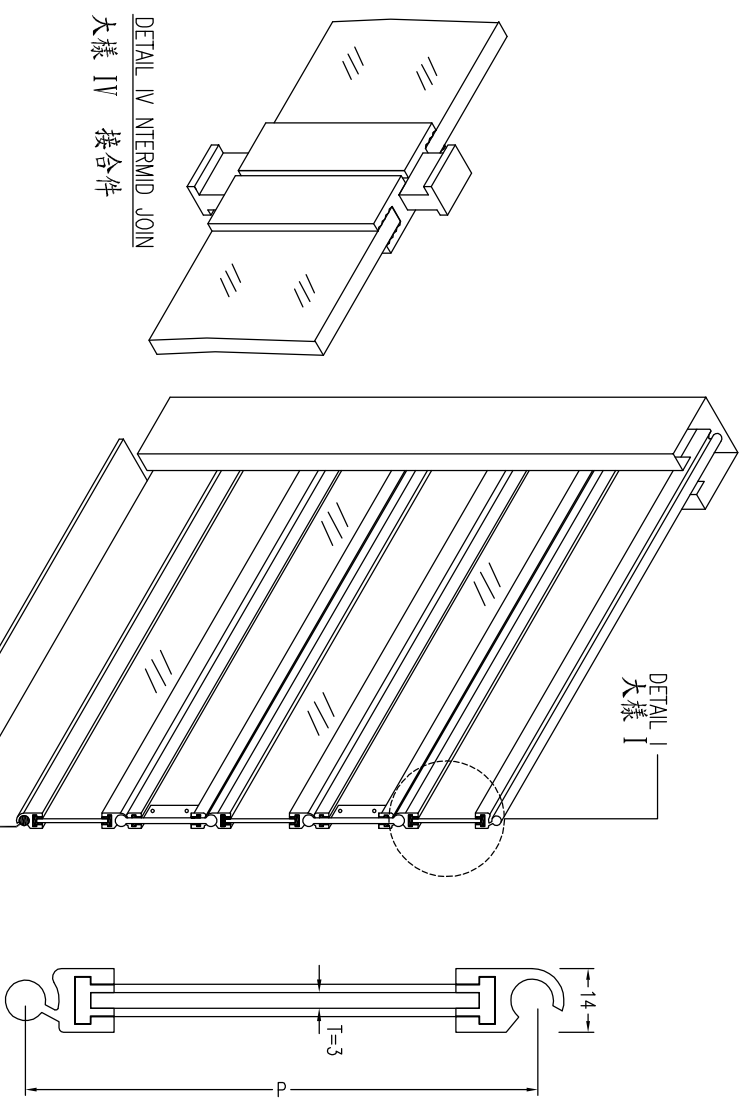


ELEVATION
立視圖

- | | |
|----------------------|---------|
| 1. BEARING | 1. 軸承 |
| 2. BARREL | 2. 捲軸 |
| 3. SHUTTER HOOD | 3. 閉捲箱 |
| 4. MOTOR | 4. 電機 |
| 5. TRANSMISSION GEAR | 5. 鏈輪 |
| 6. SLAT | 6. 簾頁 |
| 7. INTERMID JOIN | 7. 接合件 |
| 8. MANUAL CHAIN | 8. 手動鏈條 |
| 9. PUSH BUTTON | 9. 按鈕 |
| 10. GUIDE RAIL | 10. 導軌 |
| 11. BOTTOM BAR | 11. 底座 |

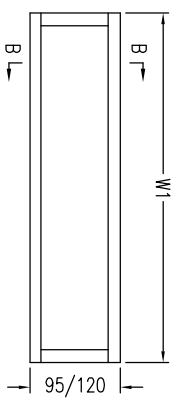
尺寸	N	M	H3
DIMENSION	0-100	150-200	1200



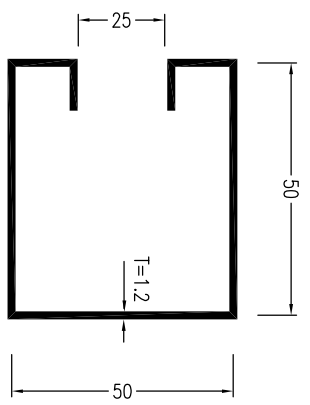
ISOMETRIC VIEW
透視圖

SECTION B-B
切面 B-B

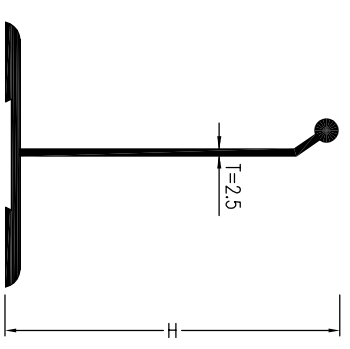
DETAIL IV INTERMID JOIN
大樣 IV 接合件



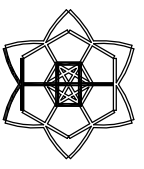
DETAIL I
大樣 I



DETAIL II (GUIDE RAIL)
大樣 II 導軌



DETAIL III (BOTTOM BAR)
大樣 III 底座



CHUNG TAI
ROLLER SHUTTERS CO. LTD.
UNIT 7, 6/F, KIN FAT INDUSTRIAL CENTRE,
KIN FAT ST., TUN MUN, N.T.
TEL: +852 2465 9323 FAX: +852 2465 1364
E-mail: info@chungtai-rs.com.hk

DRAWING NO.: TPS1_MOTOR
DRAWING TITLE: COMPONENTS OF POLYCARBONATE & ALUMINIUM ALLOY(6063-T5) SLAT CURTAIN
(TPS1) MOTOR OPERATED SECURITY ROLLER SHUTTER
鋁合金及(PC2400)聚碳酸酯簾頁(TPS1)安防電動開閉組件圖