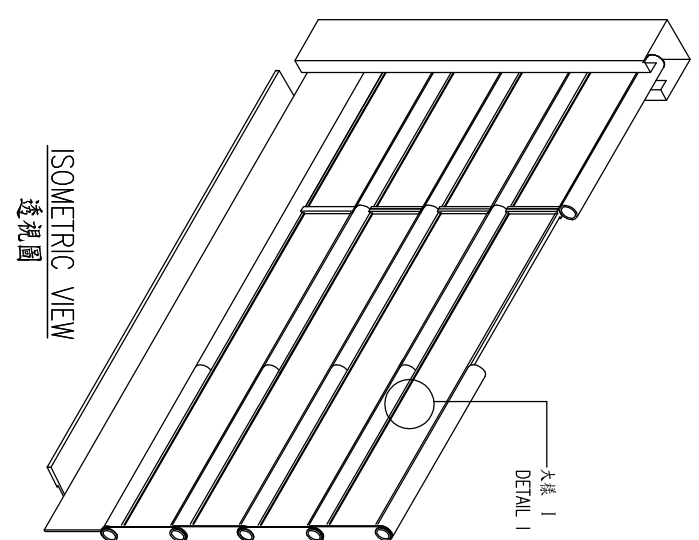
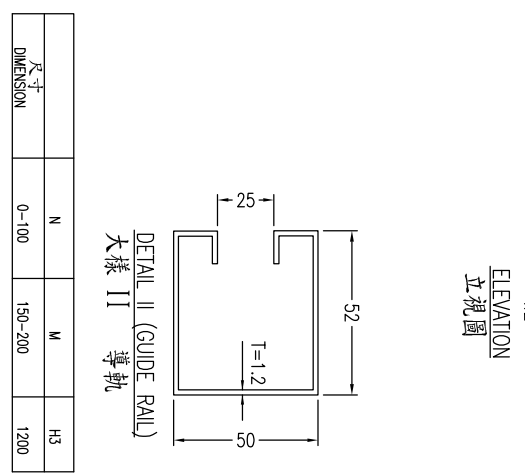


- 1. BEARING
- 2. BARREL
- 3. SHUTTER HOOD
- 4. MOTOR
- 5. TRANSMISSION GEAR
- 6. SLAT
- 7. MANUAL CHAIN
- 8. PUSH BUTTON
- 9. GUIDE RAIL
- 10. BOTTOM BAR

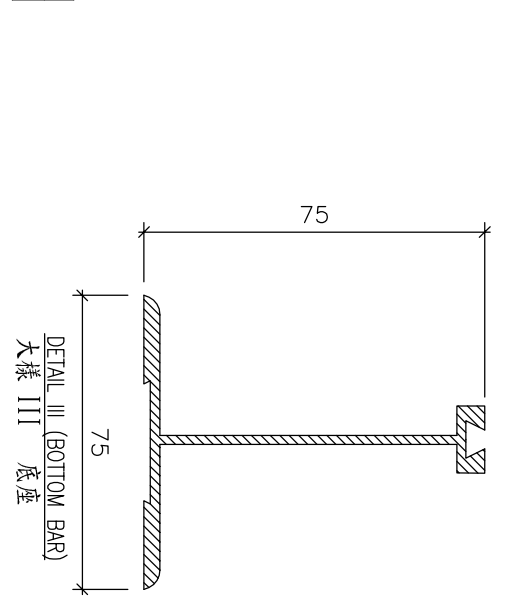
- 1. 軸承
- 2. 捲軸
- 3. 閉箱
- 4. 電機
- 5. 鏈輪
- 6. 簾頁
- 7. 手動鏈條
- 8. 按鈕
- 9. 導軌
- 10. 底座



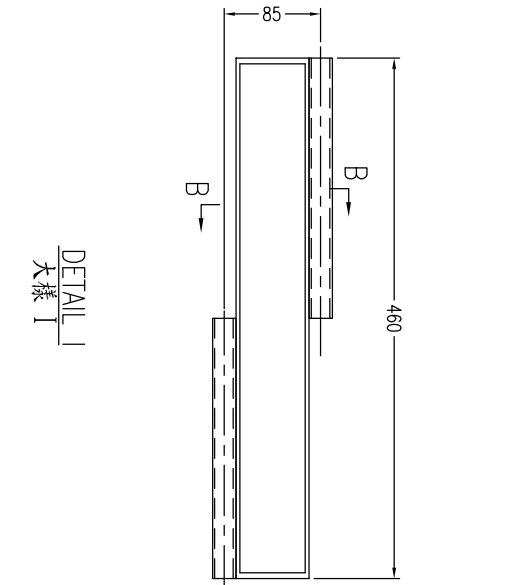
ISOMETRIC VIEW
透視圖



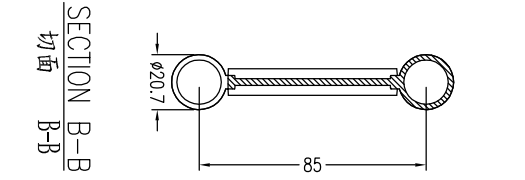
ELEVATION
立視圖



DETAIL II (GUIDE RAIL)
大樣 II 導軌

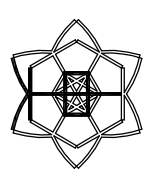


DETAIL III (BOTTOM BAR)
大樣 III 底座



SECTION B-B
切面 B-B

尺寸 DIMENSION	N	M	H3
	0-100	150-200	1200



CHUNG TAI
ROLLER SHUTTERS CO., LTD.
UNIT 7, 6/F, KIN FAT INDUSTRIAL CENTRE,
KIN FAT ST., TUEN MUN, N.T.
TEL: +852 2465 9323 FAX: +852 2456 1364
E-mail: info@chungtai-rs.com.hk

DRAWING NO.: CSII_MOTOR
DRAWING TITLE: COMPONENTS OF CLEARSEAL II (POLYCARBONATE; TRANSPARENT)
MOTOR OPERATED SECURITY ROLLER SHUTTER

CSII_MOTOR
COMPONENTS OF CLEARSEAL II (POLYCARBONATE; TRANSPARENT)
MOTOR OPERATED SECURITY ROLLER SHUTTER
雅仕牌 II (聚碳酸酯; 透視) 電動開關安防閉組件圖