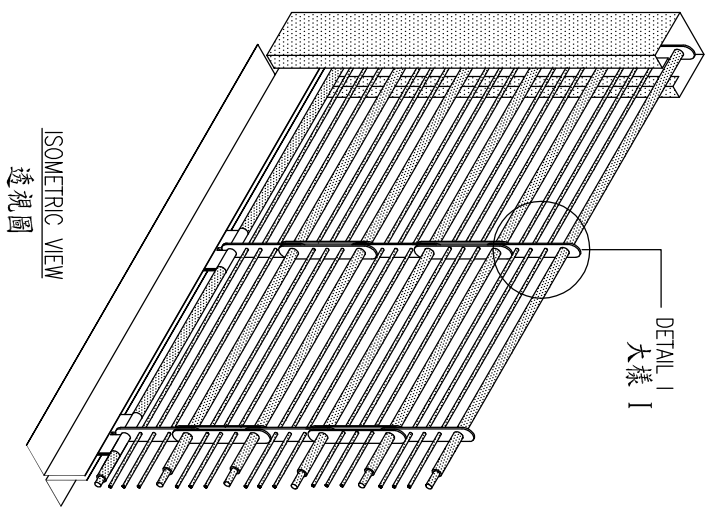
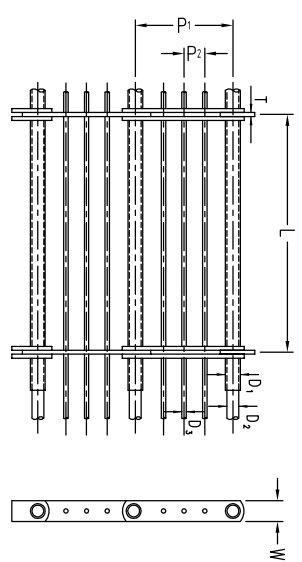


SECTION A-A  
剖面 A-A

1. BEARING
2. BARREL
3. SHUTTER HOOD
4. MOTOR
5. TRANSMISSION GEAR
6. GRILLE
7. MANUAL CHAIN
8. PUSH BUTTON
9. GUIDE RAIL
10. BOTTOM BAR

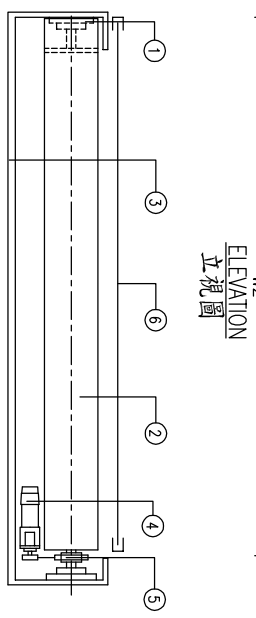


ISOMETRIC VIEW  
透視圖



- $P_1 = 76$        $W = 19$   
 $P_2 = 13$        $D_1 = 13$   
 $L = 300$        $D_2 = 9.5$   
 $T = 3$        $D_3 = 5$

DETAIL I (GRILLE)  
大樣 I 通花

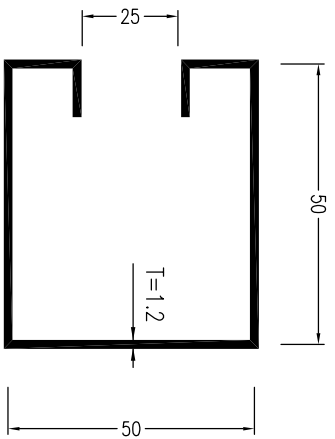


ELEVATION  
立視圖

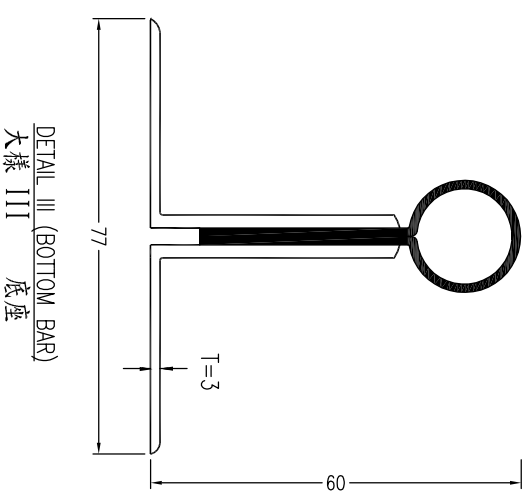
| 尺寸<br>DIMENSION | N     | M       | H3   |
|-----------------|-------|---------|------|
|                 | 0-100 | 150-200 | 1200 |

PLAN  
平面圖

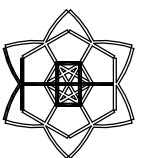
1. 軸承
2. 捲軸
3. 閉箱
4. 電機
5. 鏈輪
6. 通花
7. 手動鏈條
8. 按鈕
9. 導軌
10. 底座



DETAIL II (GUIDE RAIL)  
大樣 II 導軌



DETAIL III (BOTTOM BAR)  
大樣 III 底座



CHUNG TAI  
ROLLER SHUTTERS CO. LTD.  
UNIT 7, 6/F, KIN FAT INDUSTRIAL CENTRE,  
KIN FAT ST., TUEN MUN, N.T.  
TEL: +852 2465 9323      FAX: +852 2456 1364  
E-mail: info@chungtai-rs.com.hk

DRAWING NO.: RLG21\_RS-SS-MOTOR  
DRAWING TITLE: COMPONENTS OF STAINLESS STEEL GRILLE (ROLLING SCREEN) CURTAIN  
MOTOR OPERATED SECURITY ROLLER SHUTTER  
RLG21 不銹鋼密通花安防電動開閉組件圖