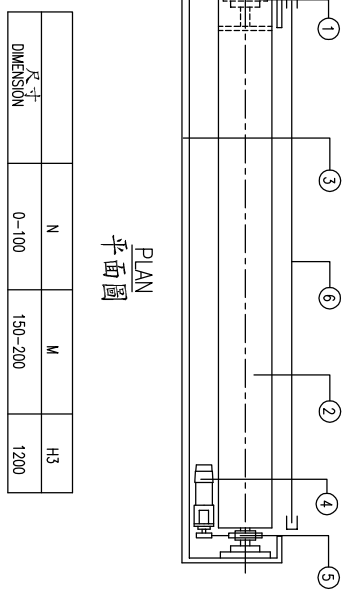


ELEVATION
立視圖

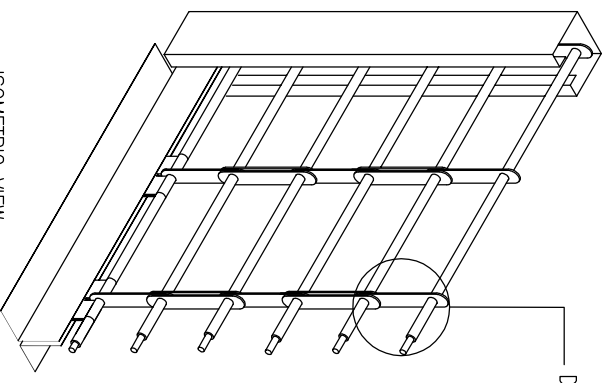
SECTION A-A
切面 A-A



PLAN
平面圖

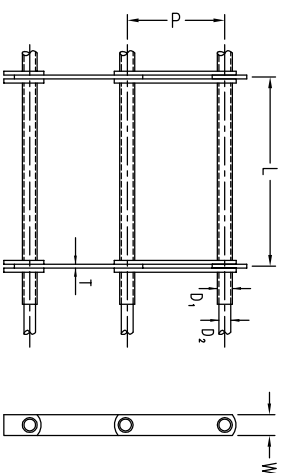
尺寸 DIMENSION	N	M	H3
	0-100	150-200	1200

1. BEARING
2. BARREL
3. SHUTTER HOOD
4. MOTOR
5. TRANSMISSION GEAR
6. GRILLE
7. MANUAL CHAIN
8. PUSH BUTTON
9. GUIDE RAIL
10. BOTTOM BAR



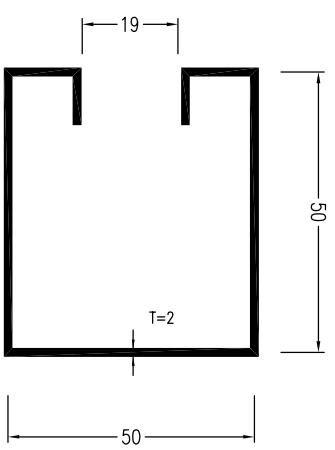
ISOMETRIC VIEW
透視圖

DETAIL I
大樣 I

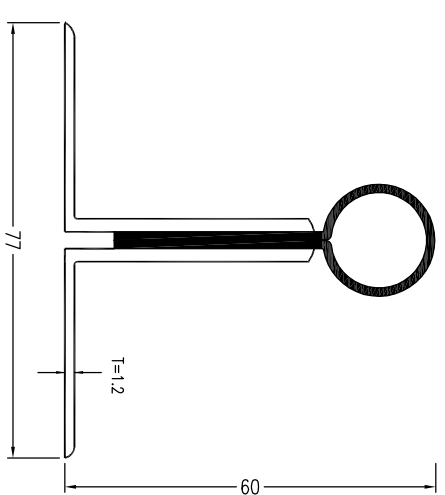


- $P = 76$ $W = 19$
 $L = 300$ $D_1 = 13$
 $T = 3$ $D_2 = 9.5$

DETAIL I (GRILLE)
大樣 I 通花



DETAIL II (GUIDE RAIL)
大樣 II 導軌



DETAIL III (BOTTOM BAR)
大樣 III 底座

1. 軸承
2. 捲軸
3. 閉箱
4. 電機
5. 鏈輪
6. 通花
7. 手動鏈條
8. 按鈕
9. 導軌
10. 底座



CHUNG TAI
ROLLER SHUTTERS CO. LTD.
UNIT 7, 6/F, KIN FAT INDUSTRIAL CENTRE,
KIN FAT ST., TUEEN MUN, N.T.
TEL: +852 2465 9323 FAX: +852 2456 1364
E-mail: info@chungtai-ss.com.hk

DRAWING NO.: Rlg21_ss_motor
DRAWING TITLE:

COMPONENTS OF RL621 STAINLESS STEEL (GRAD304) GRILLE CURTAIN
MOTOR OPERATED SECURITY ROLLER SHUTTER
(RL621) 不銹鋼通花安防電動開組件圖