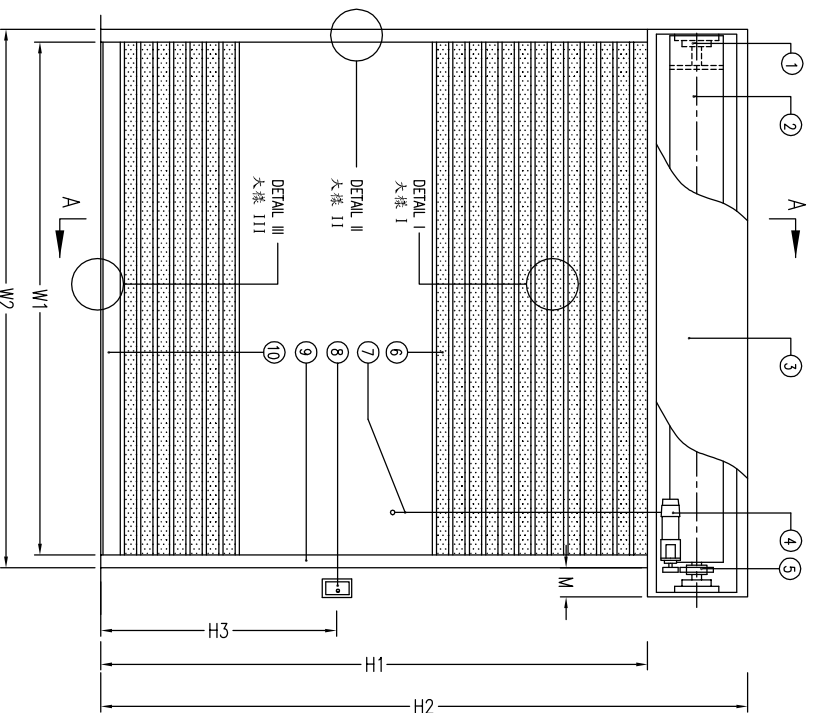


CHUNG TAI
 ROLLER SHUTTERS CO., LTD.
 UNIT 7, 6/F, KIN FAT INDUSTRIAL CENTRE,
 KIN FAT ST., TUDEN MUN, N.T.
 TEL: +852 2465 9323 FAX: +852 2456 1364
 E-mail: info@chungtai-s.com.hk



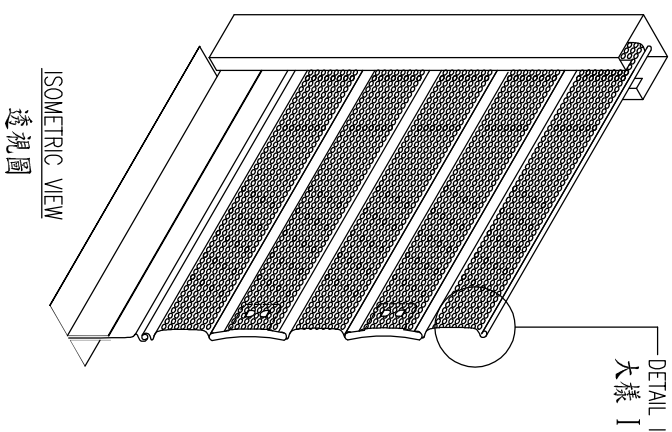
SECTION A-A
 切面 A-A

- 1. BEARING
- 2. BARREL
- 3. SHUTTER HOOD
- 4. MOTOR
- 5. TRANSMISSION GEAR
- 6. SLAT
- 7. MANUAL CHAIN
- 8. PUSH BUTTON
- 9. GUIDE RAIL
- 10. BOTTOM BAR

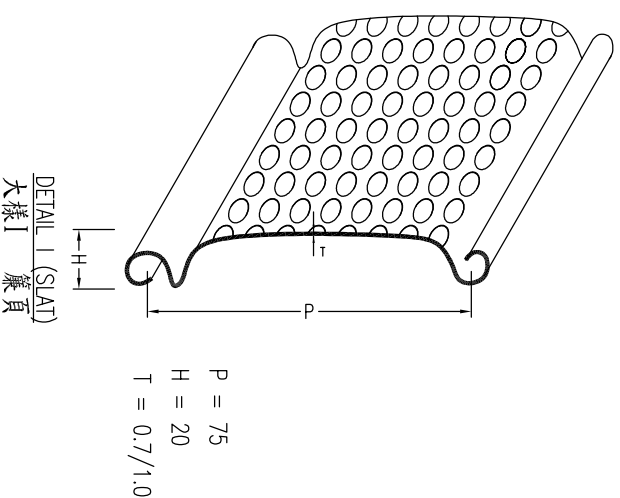
- 1. 軸承
- 2. 捲軸
- 3. 閉箱
- 4. 電機
- 5. 鍵輪
- 6. 導軌
- 7. 手動鏈條
- 8. 按鈕
- 9. 導軌
- 10. 底座

尺寸	N	M	H3
DIMENSION	0-100	150-200	1200

PLAN
 平面圖

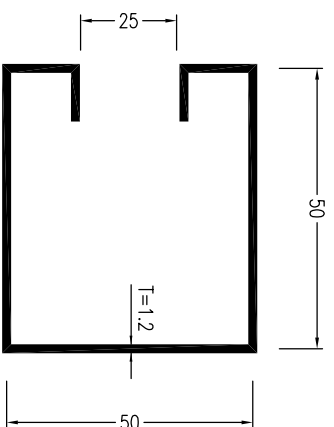


ISOMETRIC VIEW
 透視圖



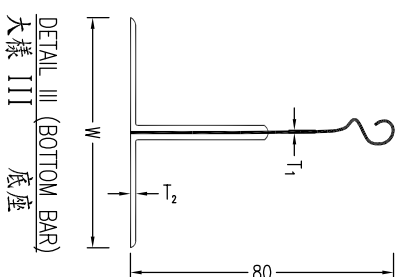
DETAIL I (SLAT)
 大樣 I 簾頁

P = 75
 H = 20
 T = 0.7/1.0



DETAIL II (GUIDE RAIL)
 大樣 II 導軌

W = 77/101
 T₁ = 1.4/1.6/1.8/2
 T₂ = 3



DETAIL III (BOTTOM BAR)
 大樣 III 底座

DRAWING NO.: SS75PR MOTOR OPERATED

DRAWING TITLE:

COMPONENTS OF 75F STAINLESS STEEL PERFORATED SLAT CURTAIN
 MOTOR OPERATED SECURITY ROLLER SHUTTER
 (SS75F) 不銹鋼針孔簾頁安防電動閉組件圖