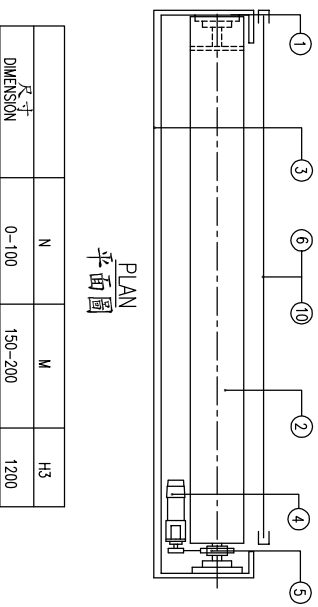


ELEVATION
立視圖

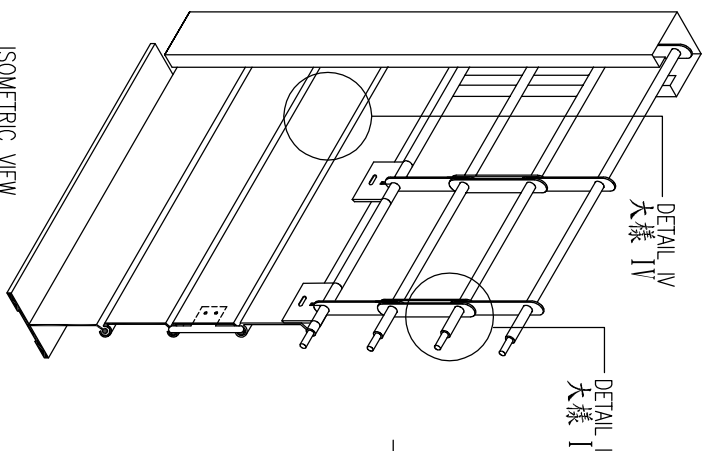
SECTION A-A
切面 A-A



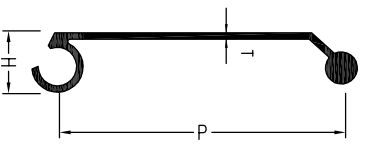
PLAN
平面圖

尺寸 DIMENSION	N	M	H3
	0-100	150-200	1200

- | | |
|----------------------|---------|
| 1. BEARING | 1. 軸承 |
| 2. BARREL | 2. 捲軸 |
| 3. SHUTTER HOOD | 3. 閉箱 |
| 4. MOTOR | 4. 電機 |
| 5. TRANSMISSION GEAR | 5. 鏈輪 |
| 6. GRILLE | 6. 通花 |
| 7. MANUAL CHAN | 7. 手動鏈條 |
| 8. PUSH BUTTON | 8. 按鈕 |
| 9. GUIDE RAIL | 9. 導軌 |
| 10. SLATS | 10. 簾頁 |
| 11. BOTTOM BAR | 11. 底座 |

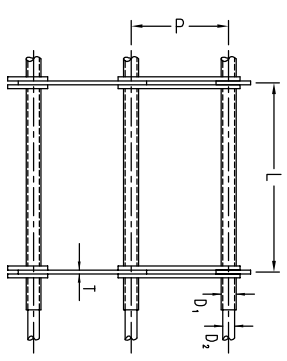


ISOMETRIC VIEW
透視圖



DETAIL IV (SLAT)
大樣 IV 簾頁

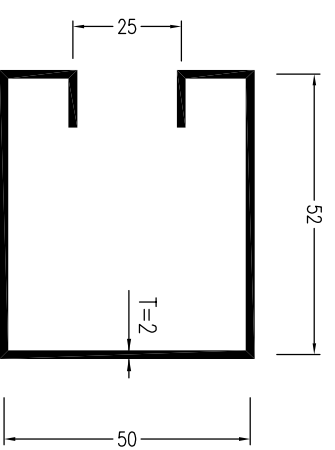
P = 50
H = 15
T = 1.8



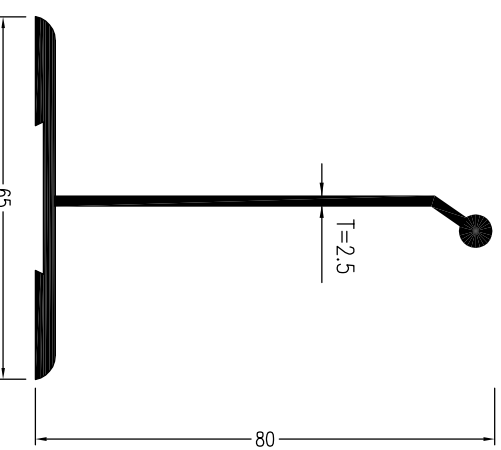
P = 76
L = 300
T = 3

W = 19
D₁ = 13
D₂ = 9.5

DETAIL I (GRILLE)
大樣 I 通花



DETAIL II (GUIDE RAIL)
大樣 II 導軌



DETAIL III (BOTTOM BAR)
大樣 III 底座

CHUNG TAI
ROLLER SHUTTERS CO. LTD.
UNIT 7, 6/F, KIN FAT INDUSTRIAL CENTRE,
KIN FAT ST., TUEN MUN, N.T.
TEL: +852 2465 9323 FAX: +852 2465 1364
E-mail: info@chungtai-rs.com.hk

DRAWING NO.: Grille21_slatt_ct50_motor
DRAWING TITLE: COMPONENTS OF ALUMINIUM ALLOY (6063-T5) PARTIAL GRILLE(RLG21)/SLAT(CT50) CURTAIN MOTOR OPERATED SECURITY ROLLER SHUTTER 鋁合金通花 (RLG21)/簾頁 (CT50) 電動閉組件圖