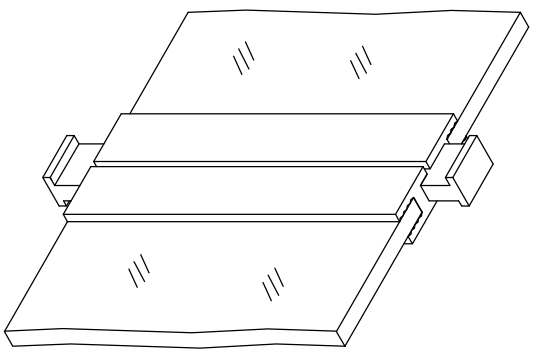
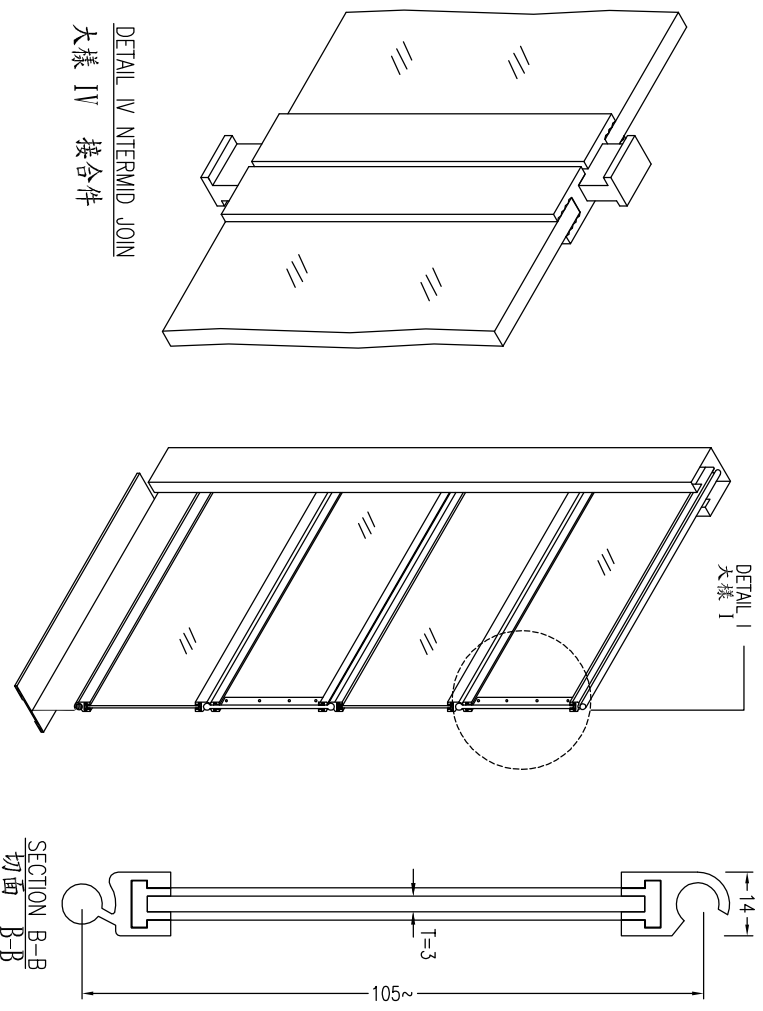


ELEVATION  
立視圖

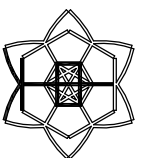


ISOMETRIC VIEW  
透視圖



- |                      |         |
|----------------------|---------|
| 1. BEARING           | 1. 軸承   |
| 2. BARREL            | 2. 捲軸   |
| 3. SHUTTER HOOD      | 3. 閉閉箱  |
| 4. MOTOR             | 4. 電機   |
| 5. TRANSMISSION GEAR | 5. 鏈輪   |
| 6. SLAT              | 6. 簾頁   |
| 7. INTERMID JOIN     | 7. 接合件  |
| 8. MANUAL CHAIN      | 8. 手動鏈條 |
| 9. PUSH BUTTON       | 9. 按鈕   |
| 10. GUIDE RAIL       | 10. 導軌  |
| 11. BOTTOM BAR       | 11. 底座  |

尺寸	N	M	H3
DIMENSION	0-100	150-200	1200



CHUNG TAI  
ROLLER SHUTTERS CO. LTD.  
UNIT 7, 6/F, KIN FAT INDUSTRIAL CENTRE,  
KIN FAT ST., TUN WUN, N.T.  
TEL: +852 2465 9323 FAX: +852 2465 1364  
E-mail: info@chungtai-rs.com.hk

DETAIL II (GUIDE RAIL)  
大樣 II 導軌

DETAIL III (BOTTOM BAR)  
大樣 III 底座

DETAIL I  
大樣 I

DRAWING NO. :

TPSS\_MOTOR

DRAWING TITLE :

COMPONENTS OF POLYCARBONATE & ALUMINIUM ALLOY(6063-T5) SLAT CURTAIN  
(TPSS) MOTOR OPERATED SECURITY ROLLER SHUTTER  
鋁合金及(PC2400)聚碳酸酯簾頁(TPSS)安防電動閉組件圖